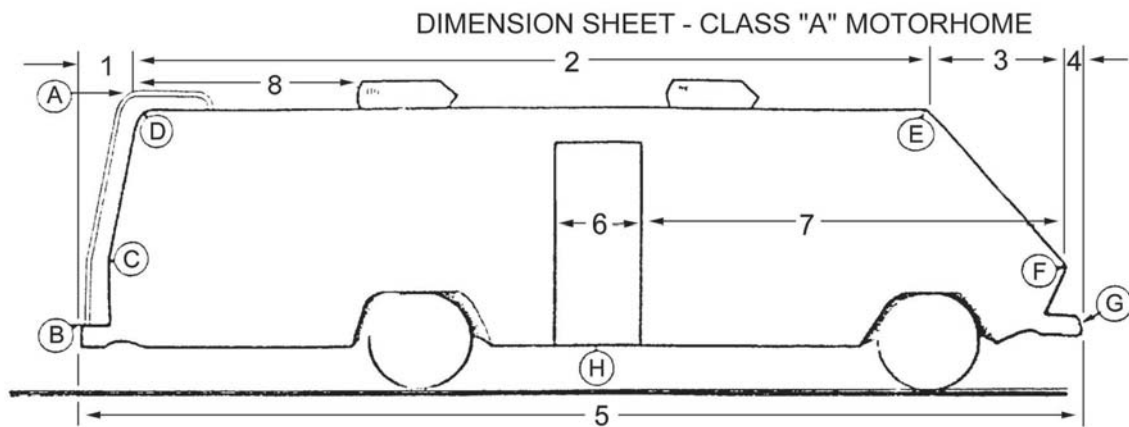


Dimension Sheets for Custom Made Covers



The following pages contain some of our most popular dimension sheets for creating custom patterns for a variety of different styles of vehicles, RV's and trailers.

See the important "how-to" instructions on the back of this page.

You can carefully remove the needed dimension sheet, photocopy it and retain the original for future use.

Ordering a custom cover is simple!

- 1 - Have your customer measure the vehicle using the dimension sheet.
- 2 - Send the dimension sheet to Covercraft.
- 3 - Our cover designers will input the data into a CAD pattern maker.
- 4 - We will contact you to advise the size group and cost.
- 5 - You confirm with your customer and place your order
- 6 - Allow 10 to 12 workdays for the custom cover to be manufactured.

These dimension sheets are also available by email if you misplace an original. They are in Excel format so the measurements can be entered and returned by email, or you can print the page and FAX it to Covercraft at (405) 238-9601.

Remember, double check all measurements!

INSTRUCTIONS FOR MEASURING A VEHICLE

Completing dimension sheets correctly is very important to enable us to correctly make a custom cover. Please read the instructions carefully and you will understand what information we need. To help you understand these instructions, please refer one of the dimension sheets on the following pages. The information we require is divided into three categories : **length, height and width.**

LENGTH

All length dimensions are shown in the upper section of each diagram and are identified as **numbers 1 through 8** (Note: some vehicles require more, some less). All of these measurements are **horizontal**. If you have a long metal tape, extend it the length of the vehicle from front to back. (If a long metal tape is not available see the next paragraph for an alternate method of measuring the vehicle.) Place the extended tape on the ground with the end of the tape **even with the end of the bumper**, at the outer edge of the vehicle. Do not use the centerline of the car as a starting point. Use reference points on the side of the vehicle to determine all measurements. Most of the time, depending on the vehicle, the measurements needed are the tape readings at points A, B, C, etc. **For example**, dimension #1 would be the tape reading at point B minus the tape reading at point A (A is 0 inches). Dimension #2 is the tape reading at point C minus the tape reading at B and so on.

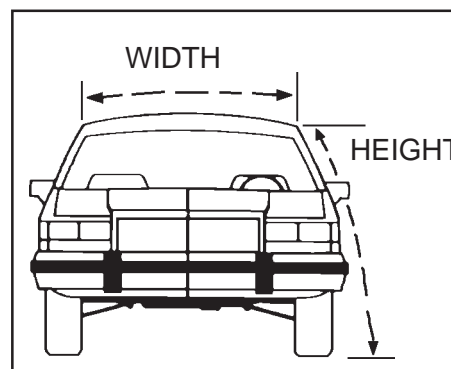
If you do not have a long tape, position your vehicle on pavement and mark the points on the pavement that correspond to points A through H. Measure these segments using a yardstick or short metal tape. Remember, all these measurements are **horizontal**.

If your vehicle has a visor, rear wing or spoiler, or any other feature that makes the profile shape of your vehicle **different than a stock vehicle**, please draw in the feature and give us the appropriate dimensions that make your profile shape different. To help you understand the information we need, Figures 3 through 5 on the back of this sheet, show some of these possible accessories and the measurements we will need.

On most dimension sheets, after you have completed dimensions #1 through #7, you'll note the overall length at number 8. **Double check your measurements** by adding together the individual measurements you have listed under #1 through #7. This total should agree with the value of #8. If the total is more than 2 inches off, remeasure to find your error.

HEIGHT

Height measurements are made from the ground and follow the contour of the vehicle. To illustrate what is needed, refer to Figure 2. The height for this dimension is illustrated by the dotted line. This type of measurement is needed for each position noted on the dimension sheet. Use a crease in the sheetmetal at the top of the fender, rain gutter at the edge of the roof, door seam or piece of masking tape for your reference point at each position.



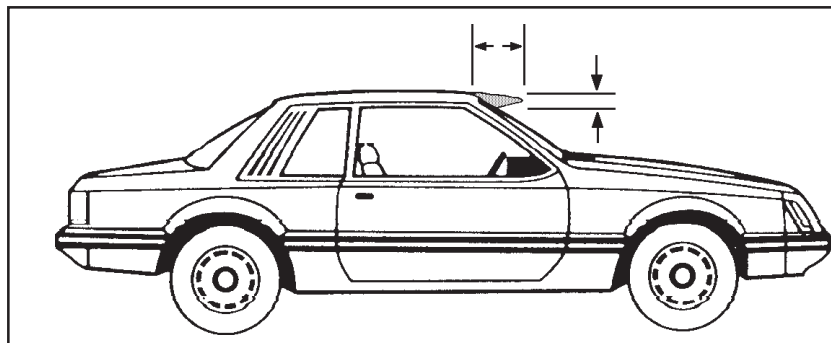
WIDTH

All width measurements begin where the height measurements end. If you have used the rain gutter at position E, measure across the roof from the driver's side to the same point on the passenger side to determine the correct width measurement for this position. The width of the hood is determined by measuring the side to side dimensions at positions B and C. As in the height measurements, follow the contour of the vehicle using the same points.

VISORS

Measurements needed:

- 1) Horizontal length (depth) of visor.
- 2) Vertical distance from front of roof.



REAR SPOILERS OR WINGS

Measurements needed:

- 1) Distance spoiler extends beyond the rear of trunk.
- 2) Height of spoiler above trunk deck.

