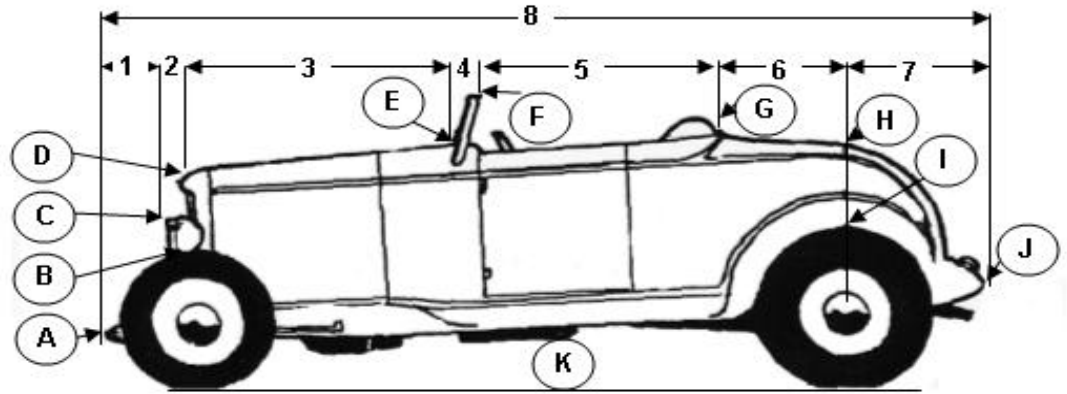




DIMENSION SHEET

**STREET ROD
ROADSTER
WITHOUT FENDERS**



- Lengths - Measured Horizontally**
- # 1 Front of car to front of headlight _____
 - # 2 Front of headlight to front of hood _____
 - # 3 Front of hood to base of windshield _____
 - # 4 Base of windshield to top of windshield _____
 - # 5 Top of windshield to front of trunk _____
 - # 6 Front of trunk to center of rear axle _____
 - # 7 Center of rear axle to rear of car _____
 - # 8 Overall length of car, front to rear _____

If you have measured correctly, the sum of # 1 through # 7 should equal # 8.

- Heights - Measured from Ground**
- HA Height at front of car _____
 - HB Height at top of front tire _____
 - HC Height at top of headlights _____
 - HD Height at front of hood _____
 - HE Height at base of windshield _____
 - HF Height at top of windshield _____
 - HG Height at front of trunk _____
 - HH Ht of trunk at center rear axle _____
 - HI Height of rear tire _____
 - HJ Height at rear of car _____
 - HK Road clearance _____

Widths, Measured Side to Side at Points Shown

- WA Width of car at front _____
- WB Width of car at front tires _____
- WC Width of car across headlights _____
- WD Width of car at front hood _____
- WE Width of car at base of windshield _____
- WF Width of windshield at top _____
- WG Width of trunk at front _____
- WH Width of trunk at point "H" _____
- WI Width of car at rear tires _____
- WJ Width of car at rear _____

Vehicle Information

YEAR _____

MAKE _____

MODEL _____

Name _____

Daytime phone _____

Date of order _____

A photo of the car will help us make the pattern. The photo can be returned if requested.