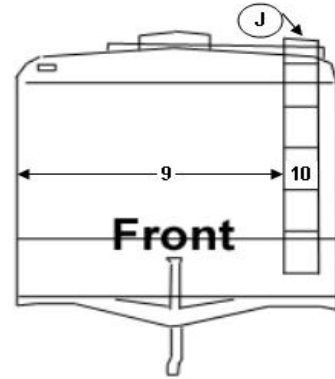
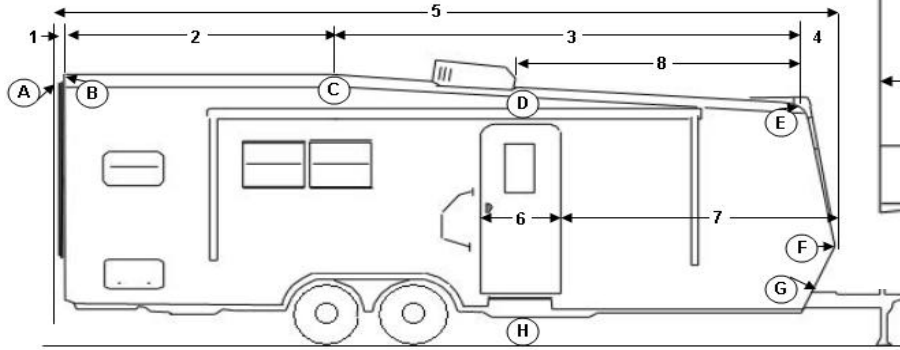




DIMENSION SHEET - SPORT UTILITY TRAVEL TRAILER



Lengths - Measured Horizontally

- # 1 Rear ramp to rear of roof _____
- # 2 Rear of roof to slant in roof _____
- # 3 Slant in roof to front of roof _____
- # 4 Front of roof to front of trailer _____
- # 5 Overall Length _____

If you have measured correctly, the total of # 1 through # 4 should be the same as # 5.

- # 6 Door width _____
- # 7 Trailer front to front edge of door _____
- # 8 Front of roof to front of AC _____
- # 9 Distance from curb-side to ladder _____
- # 10 Ladder width _____
- # 11 Rear ramp width _____

Widths, Measured Side to Side at Points Shown

- A Width at top of ramp _____
- B Width of roof at rear _____
- C Width of roof at slant _____
- D Width of roof at front of AC _____
- E Width of roof at front _____
- F Width at point "F" _____

Heights - Measured from Ground

- A Height at top of ramp _____
- B Height of roof at rear _____
- C Height of roof at slant _____
- D Height of roof at front of AC _____
- E Height of roof at front _____
- F Height at point "F" _____
- G Height at top of tongue _____
- H Road clearance _____
- J Height to top of ladder _____

A photo of the trailer will help us make the pattern. The photo can be returned if requested.

Trailer Information

- 1 Do you have an awning? _____ How far does it extend out from the side (closed) _____
Driver or passenger side? _____
- 2 Do you have a 2nd AC? _____ Measure the distance between the two _____
- 3 Do you have a roof rack? _____ Front or rear? _____ Height from roof _____

YEAR _____ Name _____

MAKE _____ Daytime phone _____

MODEL _____ Date of order _____

FLOOR PLAN _____