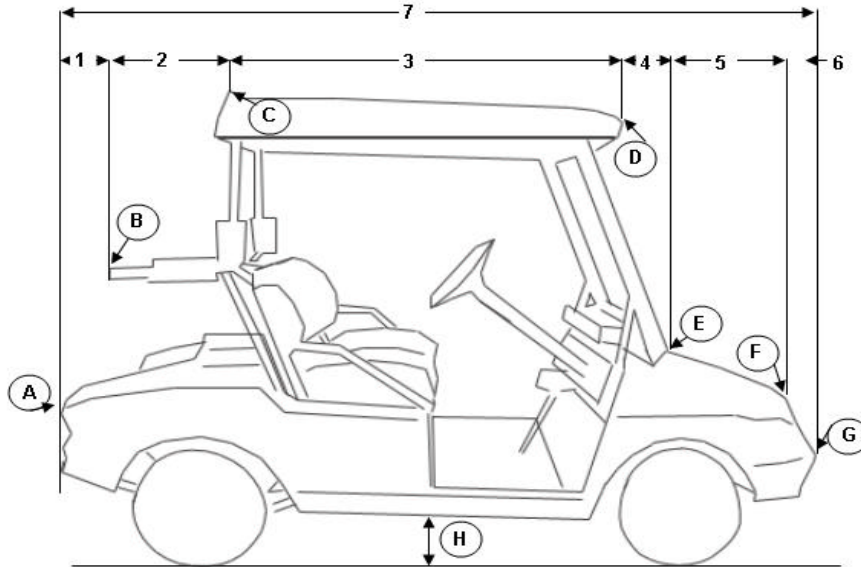




## DIMENSION SHEET - GOLF CART



### Lengths - Measured Horizontally

- # 1 Rear bumper to rack \_\_\_\_\_
- # 2 Rack to rear of roof \_\_\_\_\_
- # 3 Rear of roof to front of roof \_\_\_\_\_
- # 4 Front of roof to base of windshield \_\_\_\_\_
- # 5 Base of windshield to front of hood \_\_\_\_\_
- # 6 Front of hood to front of bumper \_\_\_\_\_
- # 7 Overall Length \_\_\_\_\_

### Heights - Measured from Ground

- A Height to top of rear bumper \_\_\_\_\_
- B Height to top of rear rack \_\_\_\_\_
- C Height at rear of roof \_\_\_\_\_
- D Height at front of roof \_\_\_\_\_
- E Height at base of windshield \_\_\_\_\_
- F Height at front of hood \_\_\_\_\_
- G Height at front bumper \_\_\_\_\_
- H Road clearance \_\_\_\_\_

If measured correctly, the sum of #1 thru #6 should be the same as #7

### Widths, Measured Side to Side at Points Shown

- |   |                                     |
|---|-------------------------------------|
| A Width of rear bumper at point "A" _____ | E Width at base of windshield _____ |
| B Width of body at point "B" _____        | F Width at front of hood _____      |
| C Width of roof at point "C" _____        | G Width at front bumper _____       |
| D Width of roof at point "D" _____        |                                     |

Draw in any accessories, noting the measurements and location (example - basket, wind wings, etc.)

### Vehicle Information

MAKE \_\_\_\_\_  
 MODEL \_\_\_\_\_  
 YEAR \_\_\_\_\_  
 NAME \_\_\_\_\_  
 Daytime phone \_\_\_\_\_  
 Date of order \_\_\_\_\_

**A photo of the vehicle will help us make the pattern. The photo will be returned if requested**