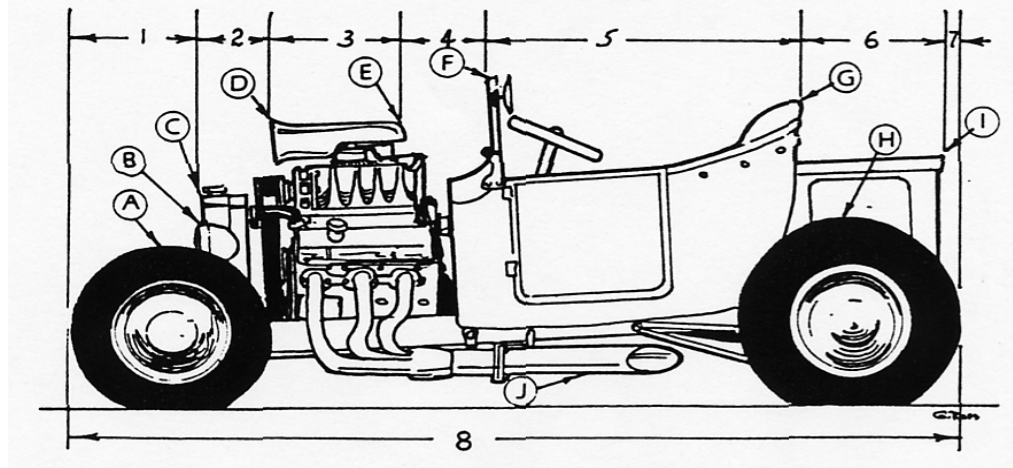




1923 Ford
"T" Bucket
Roadster,
no top,
with blower



Lengths - Measured Horizontally		Heights - Measured from Ground	
# 1	Front of car to front of hood _____	HA	Height of front tire _____
# 2	Front of hood to front of hood scoop _____	HB	Height at top of headlights _____
# 3	Front of hood scoop to rear of scoop _____	HC	Height at front of hood _____
# 4	Rear of hood scoop to top of windshield _____	HD	Height at front of scoop _____
# 5	Front of windshield to rear of seat _____	HE	Height at rear of scoop _____
# 6	Rear of seatback to rear of box _____	HF	Height at top of windshield _____
# 7	Rear of box to rear of tire _____	HG	Height at top of seat backrest _____
# 8	Overall length, front to rear _____	HH	Height at top of rear tire _____
If you have measured correctly, the sum of # 1 through # 7 should equal # 8.		HI	Height at rear of box _____
		HJ	Road Clearance _____

Widths, Measured Side to Side at Points Shown

WA	Width of car at front fender _____	WF	Width of windshield _____
WB	Width across headlights _____	WG	Width of backrest _____
WC	Width across front of hood _____	WH	Width of car across fenders _____
WD	Width of scoop at front _____	WI	Width of box at rear _____
WE	Width of scoop at rear _____		

Vehicle Information

A photo of the vehicle will help us make the pattern. The photo can be returned if requested.

MAKE _____
 MODEL _____
 YEAR _____
 NAME _____
 Daytime phone _____
 Date of order _____