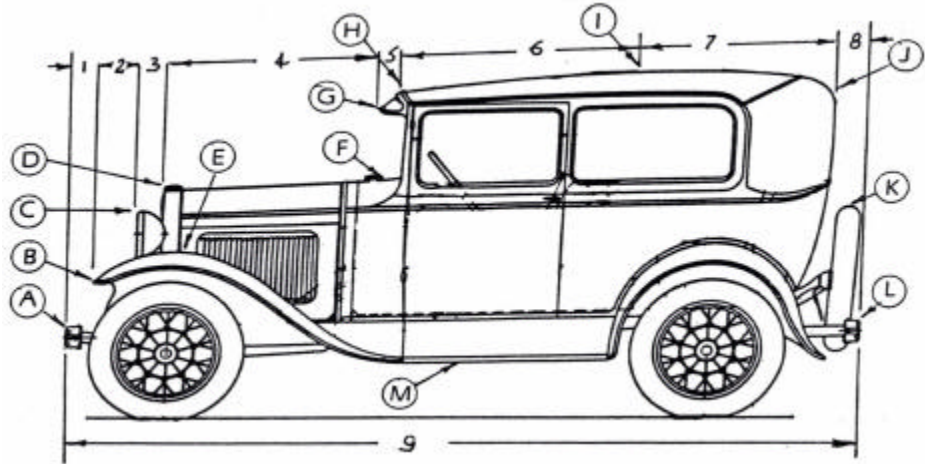




DIMENSION SHEET

LATE 20'S 2-DOOR SEDAN



Lengths - Measured Horizontally		Heights - Measured from Ground	
# 1	Front of car to tip of fender	HA	Height at "A"
# 2	Tip of fender to front of headlights	HB	Height at "B"
# 3	Front of headlights to front of hood	HC	Height at "C"
# 4	Front of hood to front edge of visor	HD	Height at "D"
# 5	Visor to front edge of roof	HE	Height at "E"
# 6	Front of roof to highpoint of roof	HF	Height at "F"
# 7	Highpoint of roof to rear of roof	HG	Height at "G"
# 8	Rear of roof to rear of bumper	HH	Height at "H"
(If measured correctly, #1 through #8 should equal #9)		HI	Height at "I"
# 9	Overall length of car, front to rear	HJ	Height at "J"
		HK	Height at "K"
		HL	Height at "L"
		HM	Road clearance

Widths, Measured Side to Side at Points Shown

WA	Width across front of car at "A"	WG	Width across front of visor
WB	Width across fenders at "B"	WH	Width across front of roof
WC	Width across headlights at "C"	WI	Width across roof at "I"
WD	Width across hood at "D"	WJ	Width across rear of roof
WE	Width, side to side at "E"	WK	Width across car at "K"
WF	Width at base of windshield	WL	Width at rear bumper

Vehicle Information

A photo of the vehicle will help us make the pattern. The photo can be returned if requested.

YEAR _____ MAKE _____

MODEL _____ BODY STYLE _____

NAME _____

Daytime phone _____

Date of order _____