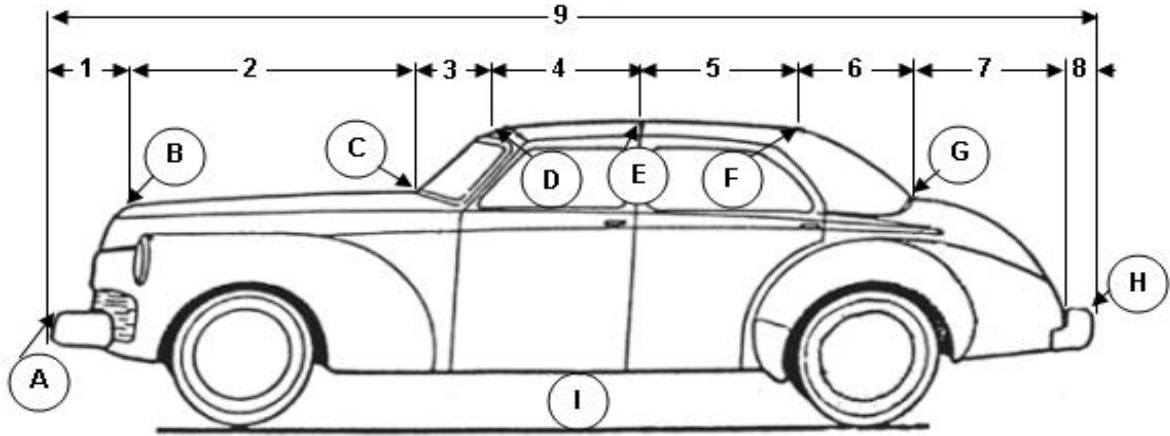




DIMENSION SHEET - FIFTIES SERIES SEDAN



Lengths - Measured Horizontally		Heights - Measured from Ground	
# 1 Corner of front bumper to front of hood	_____	HA Height at front bumper	_____
# 2 Front of hood to base of windshield	_____	HB Height at front of hood	_____
# 3 Base of windshield to front of roof	_____	HC Height at base of windshield	_____
# 4 Front of roof to highpoint of roof	_____	HD Height at front of roof	_____
# 5 Highpoint of roof to rear of roof	_____	HE Height at highpoint of roof	_____
# 6 Rear of roof to base of rear window	_____	HF Height at rear of roof	_____
# 7 Base of rear window to end of trunk	_____	HG Height at base of rear window	_____
# 8 End of trunk to corner of rear bumper	_____	HH Height at rear bumper	_____
Total	_____	HI Road clearance	_____
# 9 Overall length of car at corner of bumpers	_____		

If you have measured correctly, the total of # 1 through # 8 should be the same as # 9.

Widths, Measured Side to Side at Points Shown

WA Width of front bumper at point "A"	_____	WE Width of roof at point "E"	_____
WB Width of hood at point "B"	_____	WF Width of roof at point "F"	_____
WC Width of hood at point "C"	_____	WG Width of trunk at point "G"	_____
WD Width of roof at point "D"	_____	WH Width of rear bumper at "H"	_____

Draw in any accessories, noting the measurements and location (example - sun visor, rear wing, etc.)

Vehicle Information

YEAR _____

MAKE _____

MODEL _____

NAME _____

Daytime phone _____

Date of order _____

A photo of the vehicle will help us make the pattern. The photo can be returned if requested.